

READ AND SAVE THESE INSTRUCTIONS

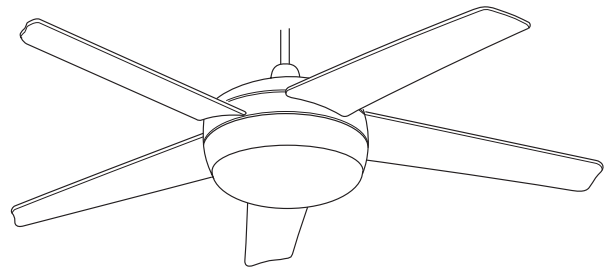


EMERSON[™]

MIDWAY ECO[™] 54" Ceiling Fan Owner's Manual



Net Weight: 22.7 Lbs.



Model No.

**CF955BS 00
CF955ORB 00
CF955WW 00**

LIMITED WARRANTY

What The Warranty Covers:

This warranty covers the motor and the other components and accessories of your Emerson ceiling fan against all defects in workmanship and materials. You must be the original purchaser or user of the product to be covered.

What The Period Of Coverage Is:

As it applies to the motor, this warranty will last for thirty years from the date you purchased your ceiling fan. Repair and replacement of defective parts on the light fixture housing or electronics (excluding the lamp) for two years from the date of purchase. All other components and accessories are covered by this warranty for one year from the date you purchased your ceiling fan. ANY IMPLIED WARRANTY OF MERCHANTABILITY OR FITNESS FOR A PARTICULAR PURPOSE, MADE WITH RESPECT TO COMPONENTS AND ACCESSORIES IS ALSO LIMITED TO ONE YEAR.

What Will Emerson Electric Co. Do To Correct Problems:

Emerson will replace a defective Emerson Air Comfort Ceiling Fan motor, blade, component or other accessory at no charge to you. If repair of the motor or blades is not practical or possible within a reasonable time and no replacement can be provided, Emerson will refund the actual purchase price of your fan. **WE WILL SHIP THE REPAIRED PRODUCT OR REPLACEMENT TO YOU AT NO CHARGE, BUT YOU ARE RESPONSIBLE FOR ALL COSTS OF REMOVAL, REINSTALLATION AND SHIPPING OF THE PRODUCT TO EMERSON.**

How Can You Get Service:

YOU MUST HAVE PROOF OF YOUR PURCHASE OF THE CEILING FAN TO OBTAIN LIMITED WARRANTY SERVICE. KEEP YOUR RECEIPT OR OTHER PROOF OF PURCHASE. You can return the product to our factory or to your nearest authorized service center.

- To return the product to the factory, obtain a return authorization and service identification tag by writing to Air Comfort Products, Division of Emerson Electric Co., 8100 W. Florissant Ave., St. Louis, MO 63136. Include all model numbers shown on the product with your request.
- To return the product to an authorized service center, call 1-800-654-3545 for the address of the nearest authorized service center. You will be responsible for all insurance, freight or other transportation charges to our factory or authorized service center. Your Emerson Air Comfort Ceiling Fan should be properly packed to avoid damage in transit since we will not be responsible for any such damage.

What Is Not Covered:

The glass globes and light bulbs of your ceiling fan are not covered by this warranty. This warranty also does not cover any defects, malfunctions or failures caused by:

- Repairs by persons not authorized by Emerson Electric Co.,
- Use of parts or accessories not authorized by Emerson Electric Co.,
- Mishandling, improper installation, modifications or damage to your ceiling fan while in your possession, or
- Unreasonable use, misuse, abuse, including failing to do reasonable and necessary maintenance, and normal wear and tear.

Additionally, this warranty and any implied warranty of merchantability or fitness for a particular purpose are voided when:

- The original purchaser or user ceases to own the product, or
- The fan is moved from its original point of installation.

This warranty is only valid within the 50 states of the United States and the District of Columbia. No other written or oral warranties apply, and no employee, agent, dealer or other person is authorized to give any warranties on behalf of Emerson Electric Co..

REPAIR, REPLACEMENT OR A REFUND ARE THE EXCLUSIVE REMEDIES AVAILABLE UNDER THIS WARRANTY AND EMERSON IS NOT RESPONSIBLE FOR DAMAGES OF ANY KIND, INCLUDING INCIDENTAL AND CONSEQUENTIAL DAMAGES. Incidental damages include but are not limited to such damages as loss of time and loss of use. Consequential damages include but are not limited to the cost of repairing or replacing other property which was damaged if this product does not work properly.

How State Law Relates To The Warranty:

Some states do not allow the exclusion or limitation of incidental or consequential damages so the above exclusion or limitation may not apply to you. This warranty gives you specific legal rights, and you may also have other rights which vary from state to state.

▲ WARNING

WARNING: To avoid fire, shock, and serious personal injury, follow these instructions.

Safety Instructions

1. Read your owner's manual carefully and keep it for future reference.
2. Before servicing or cleaning unit, switch power off at service panel and lock service panel disconnecting means to prevent power from being switched on accidentally. When the service disconnecting means cannot be locked, securely fasten a warning device, such as a tag, to the service panel.
3. Be careful of the fan and blades when cleaning, painting, or working near the fan. Always turn off the power to the ceiling fan before servicing.
4. Do not put anything into the fan blades while they are turning.
5. Do not operate reversing switch until fan blades have come to a complete stop.

Additional Safety Instructions for Installation

1. To avoid possible shock, be sure electricity is turned off at the fuse box before wiring, and do not operate fan without blades.
2. All wiring must be in accordance with the National Electrical Code "ANSI/NFPA 70-1999" and Local Electrical Codes. Use the National Electrical Code if Local Codes do not exist. The ceiling fan must be grounded as a precaution against possible electrical shock. Electrical installation should be made or approved by a licensed electrician.
3. The outlet box and joist must be securely mounted and capable of reliably supporting at least 50 pounds. Use only U.L. outlet boxes listed as "Acceptable for Fan Support", and use the mounting screws provided with the outlet box. Most outlet boxes commonly used for support of light fixtures are not acceptable for fan support and may need to be replaced. Consult a qualified electrician if in doubt.
4. The downrod furnished with the fan proves the minimum recommended floor to fan blade clearance for an 8 foot ceiling.
5. The fan must be mounted with the fan blades at least 7 feet from the floor to prevent accidental contact with the fan blades.
6. Follow the recommended instructions for the proper method of wiring your ceiling fan. If you do not know enough about electrical wiring, have your fan installed by a licensed electrician.

NOTE: This fan is suitable for use with solid-state speed controls.

WARNING: To reduce the risk of fire or electrical shock, this fan should only be used with fan speed control, Model No. FR-3801CK-01, manufactured by Rhine Electric Co., Ltd.

WARNING: This product is designed to use only those parts supplied with this product and/or any accessories designated specifically for use this product by Emerson Electric Co. Substitution of parts or accessories not designated for use with this product by Emerson could result in personal injury or property damage.

WARNING: To reduce the risk of personal injury, do not bend the blade flange when installing the blade flanges, balancing the blades or cleaning the fan. Do not insert foreign objects in between rotating fan blades.

WARNING: To reduce the risk of electrical shock, this fan must be installed with a general use, isolating control/switch.

DATE CODE: _____

The date code of this fan may be found on the box, stamped in ink on a white label.

You should record this data above and keep it in a safe place for future use.

This Manual Is Designed to Make it as Easy as Possible for You to Assemble, Install, Operate and Maintain Your Ceiling Fan

Tools Needed for Assembly

- | | |
|----------------------------------|-------------------|
| One Phillips head screwdriver | One stepladder |
| One 1/4" blade screwdriver | One wire stripper |
| Three wire connectors (supplied) | |
| One 3/16" hex wrench (supplied) | |

<u>Installed Wire Length</u>	<u>Wire Size A.W.G.</u>
Up to 50 ft.	14
50-100 ft.	12

▲ WARNING

Before assembly your ceiling fan, refer to section on proper method of wiring your fan (page 6). If you feel you do not have enough wiring knowledge or experience, have your fan installed by a licensed electrician.

MATERIALS

Wiring outlet box and box connectors must be of type required by the local code. The minimum wire would be a 3-conductor (2-wire with ground) of the following size:

Unpacking Instructions

For your convenience, check-off boxes are provided next to each step. As each step is completed, place a check mark in the box. This will insure that all steps have been completed and will be helpful in finding your place should you be interrupted.

▲ WARNING

Do not install or use fan if any part is damaged or missing. Call Toll-Free:

1-800-654-3545

▲ WARNING

This product is designed to use only those parts supplied with this product and/or any accessories designated specifically for use with this product by Emerson Electric Co. Substitution of parts or accessories not designated for use with this product by Emerson Electric Co. could result in personal injury or property damage.

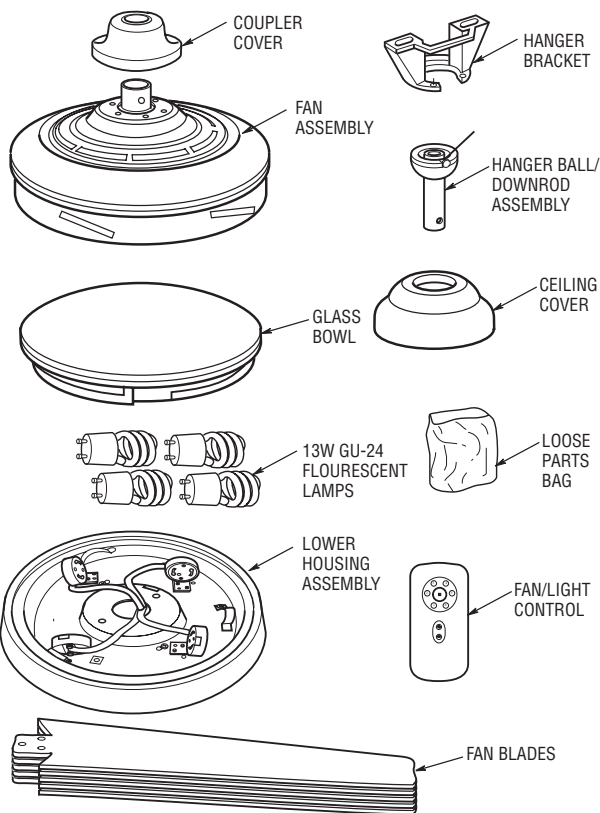
1. Check to see that you have received the following parts:

NOTE: If you are uncertain of part description, refer to exploded view illustration.

- a. Fan motor assembly
- b. One lower housing assembly
- c. One ceiling cover
- d. Five fan blades
- e. One hanger ball/downrod assembly
- f. One hanger bracket
- g. One glass globe
- h. One fan/light control
- i. One coupler cover
- j. Four 13-watt GU-24 fluorescent lamps
- k. One loose parts bag containing:
 1. Sixteen 3/16-24 x 1/2" slotted Phillips washer head blade screws
 2. Three wire connectors
 3. Two 1-1/4" threaded studs
 4. Two lockwashers
 5. Two knurled knobs
 6. One clevis pin
 7. One hairpin clip

NOTE: Place the parts from the loose parts bags in a small container to keep them from being lost. If any parts are missing, contact your local retailer or catalog outlet for replacement before proceeding.

2. Remove the fan assembly from the protective plastic bag. Place the fan assembly into the upper foam pad with the top of the motor facing up.
- The upper foam pad serves as a holder for the fan during the first stages of assembly.



How to Put Your Ceiling Fan Together

1. Remove the hanger ball by loosening the setscrew in the hanger ball until the ball falls freely down the downrod (Figure 1). Remove the clevis pin from the downrod, then remove the hanger ball. Retain the pin and hanger ball for reinstallation in step 5.

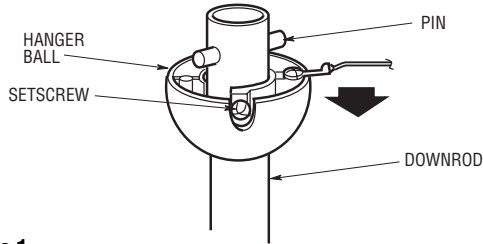


Figure 1

2. Loosen setscrew in motor coupling if necessary. Separate, untwist and unkink the three 80" motor leads. Route the motor lead wires through the downrod. Align the clevis pin holes in the downrod with the holes in the motor coupling. Install the clevis pin and secure with the hairpin clip (Figure 2). The clevis pin must go through the holes in the motor coupling and the holes in the downrod. Be sure to push the straight leg of the hairpin clip through the hole near the end of the clevis pin until the curved portion of the hairpin clip snaps around the clevis pin. The hairpin clip must be properly installed to prevent the clevis pin from working loose. Pull on the downrod to make sure the clevis pin is properly installed.

▲ WARNING

It is critical that the clevis pin in the motor coupling is properly installed and the setscrew securely tightened. Failure to verify that the pin and setscrew are properly installed (as shown in Figure 2) could result in the fan falling.

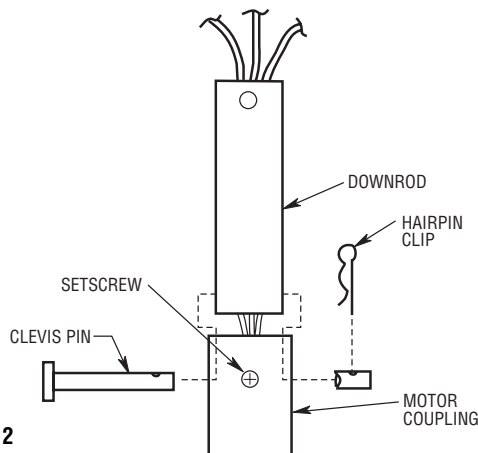


Figure 2

3. While pulling up on the downrod, securely tighten the setscrew in the motor coupling (Figure 3).

4. Make sure the grommet is properly installed in the coupling cover then slide the coupler cover on the downrod until it rests on the motor housing. Place the ceiling cover over the downrod. Be sure both the ceiling cover and the coupler cover are oriented correctly (Figure 3).

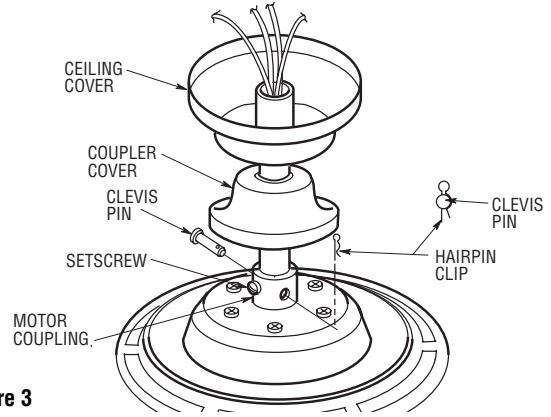


Figure 3

5. Reinstall the hanger ball (Figure 4) on the downrod as follows. Route the motor leads through the downrod. Position the pin through the two holes in the downrod and align the ball so the pin is captured in the groove in the top of the hanger ball. Pull the hanger ball up tight against the pin and securely tighten the setscrew in the hanger ball. A loose setscrew could create fan wobble.

▲ WARNING

It is critical that the pin in the hanger ball is properly installed and the setscrew securely tightened. Failure to verify that the pin and setscrew are properly installed could result in the fan falling.

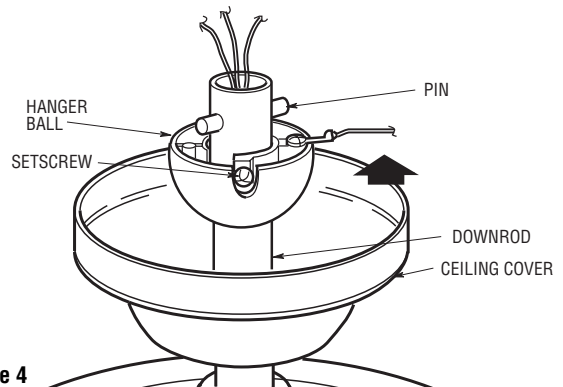


Figure 4

6. The fan comes with blue, black and white leads that are 80" long. Before installing fan, measure up approximately 6 to 9-inches above top of hanger ball/downrod assembly. Cut off excess leads and strip back insulation 1/2-inch from end of leads.
7. Turn fan assembly upside down in preparation for mounting fan blade assemblies.

NOTE: The setscrew must be properly installed as described above, or fan wobble could result.

- 8. To ensure proper blade assembly, make sure the label on the blades are facing the bottom of the ceiling fan. Slide blade through center slot in fan housing. Mount blade to fan housing using three 3/16-24 x 1/2" slotted Phillips washer head blade screws (Figure 5).

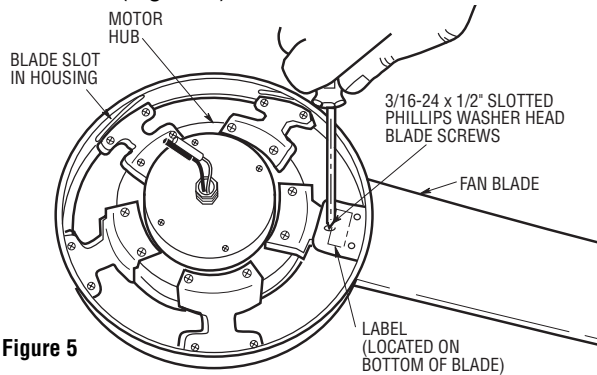


Figure 5

NOTE: Take care not to scratch fan housing when installing blades.

- 9. Remove two of the four screws in the motor assembly and loosen the remaining two screws (Figure 6).
- 10. Connect the terminals of the lower housing assembly to the terminals of the fan motor assembly (Figure 6).

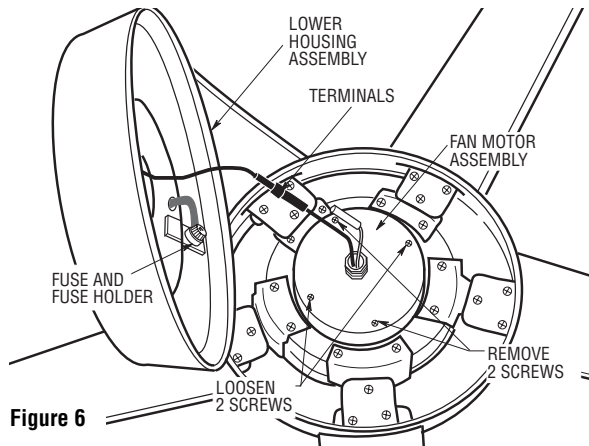


Figure 6

- 11. Attach the lower housing assembly to the fan motor using the two key slot holes. (Figure 7). Secure the lower housing assembly by tightening the two screws. Reinstall the two screws that were removed.

NOTE: Make sure wires and terminals are positioned in raised center area of lower housing assembly, and not pinched between fan and light kit.

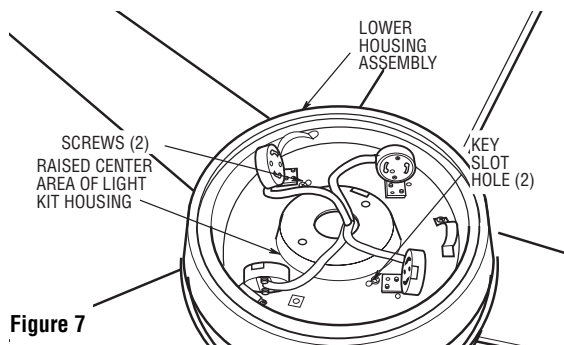


Figure 7

Electrical Requirements

Your new ceiling fan will require a grounded electrical supply line of 120 volts AC, 60 Hz, 15 amp circuit. The outlet box must be securely anchored and capable of withstanding a load of at least 50 pounds.

▲ WARNING

To reduce the risk of fire, electric shock, or personal injury, mount fan to outlet box marked "Acceptable for Fan Support", and use screws supplied with outlet box. Most outlet boxes commonly used for support of light fixtures are not acceptable for fan support and may need to be replaced. Consult a qualified electrician if in doubt.

If your fan is to replace an existing ceiling light fixture, turn electricity off at the main fuse box at this time and remove the existing light fixture.

▲ WARNING

Turning off wall switch is not sufficient. To avoid possible electrical shock, be sure electricity is turned off at the main fuse box before wiring. All wiring must be in accordance with National and Local codes and the ceiling fan must be properly grounded as a precaution against possible electrical shock.

▲ WARNING

To avoid fire or shock, follow all wiring instructions carefully. Any electrical work not described in these instructions should be done or approved by a licensed electrician.

How to Hang Your Ceiling Fan

▲ WARNING

The fan must be hung with at least 7' of clearance from floor to blades (Figure 8).

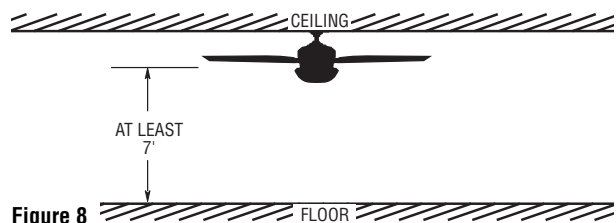


Figure 8

▲ WARNING

The outlet box and joist must be securely mounted and capable of supporting at least 50 lbs. Use only a U.L. outlet box listed as "Acceptable for Fan Support".

▲ WARNING

To reduce the risk of fire, electric shock, or personal injury, mount fan to outlet box marked “Acceptable for Fan Support”, and use screws supplied with outlet box. Most outlet boxes commonly used for support of light fixtures are not acceptable for fan support and may need to be replaced. Consult a qualified electrician if in doubt.

- 1. Securely attach the hanger bracket to the outlet box using the two screws supplied with the outlet box. (Figure 9.)

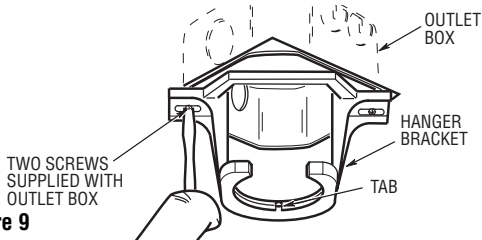


Figure 9

▲ WARNING

Hanger bracket must seat firmly against outlet box. If the outlet box is recessed, remove wall board until bracket contacts box. If bracket and/or outlet box are not securely attached, the fan could wobble or fall.

- 2. Carefully lift the fan and seat the hanger ball/downrod assembly on the hanger bracket that was just attached to the outlet box (Figure 10). Be sure the groove in the ball is lined up with tab on the hanger bracket (Figure 9).

▲ WARNING

Failure to seat tab in groove could cause damage to electrical wires and possible shock or fire hazard.

▲ WARNING

To avoid possible fire or shock, do not pinch wires between the hanger ball/downrod assembly and hanger bracket.

NOTE: CEILING COVER, SUPPLY WIRES AND FAN WIRES OMITTED FOR CLARITY.

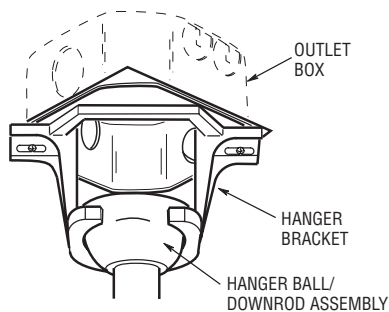


Figure 10

How to Wire Your Ceiling Fan

If you feel that you do not have enough electrical wiring knowledge or experience, have your fan installed by a licensed electrician.

▲ WARNING

To avoid possible electrical shock, be sure electricity is turned off at the main fuse box before wiring.

NOTE: If you are not sure if the outlet box is grounded, contact a licensed electrician for advice, as it must be grounded for safe operation.

- 1. Connect the green grounding lead from the hanger ball and the green grounding lead from the hanger bracket to the grounding conductor of supply (this may be a bare wire or wire with green colored insulation). Securely connect wires with wire connectors supplied. (Figure 11.)

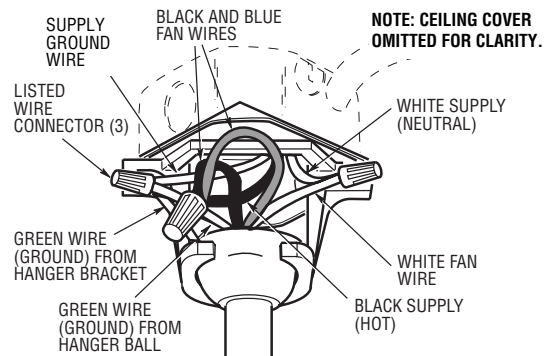


Figure 11

NOTE: If you are using an Emerson Light Fixture with your fan, see Light Fixture Owner’s Manual for wiring.

- 2. Securely connect the fan motor white wire to the supply white (neutral) wire using wire connector supplied (Figure 11). Securely connect the fan motor black wire and blue wire to the supply black (hot) wire using wire connector supplied (Figure 11). After connections have been made, turn leads upward and carefully push leads into the outlet box, with the white and green leads on one side of the outlet box and the black and blue leads on the other side of the outlet box.

▲ WARNING

Check to see that all connections are tight, including ground, and that no bare wire is visible at the wire connectors, except for the ground wire. Do not operate fan until blades are in place. Noise and fan damage could result.

- 3. Screw the two threaded studs (supplied) into the tapped holes in the hanger bracket.
- 4. Lift the ceiling cover up to the threaded studs and turn until studs protrude through the holes in the ceiling cover (Figure 12).

- 5. Secure the ceiling cover in place by sliding lockwashers over the threaded studs and installing the two knurled knobs (supplied). (Figure 12.) Tighten the knurled knobs securely until the ceiling cover fits snugly against the ceiling and the hole in the ceiling cover is clear of the downrod. Your fan is now wired to be turned on and off from the fan switch.

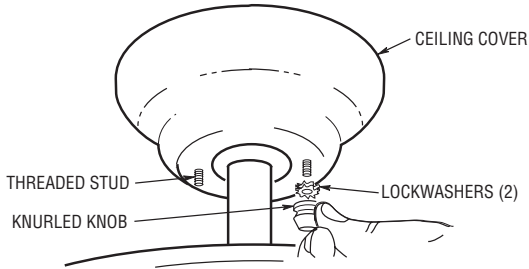


Figure 12

▲ WARNING

To avoid possible fire or shock, make sure that the electrical wires are completely inside the outlet box and not pinched between the ceiling cover and the ceiling.

Installing Lamps and Glass Globe

- 1. Carefully position one of the GU24 fluorescent bulbs (supplied) into the light fitter socket, aligning the two pins on the bottom of the bulb into the socket holes. Twist the bulb clockwise, approximately 1/16 turn, to engage the bulb pins into the light socket holes.
- 2. Install the remaining three GU24 fluorescent bulbs in the same manner.
- 3. Place the glass bowl into the opening in the lower housing assembly, aligning the three flat areas on the top edge of the glass with the three raised dimples on the lower housing assembly and turn the glass bowl clockwise until it stops (Figure 13).

NOTE: periodically check that the glass bowl is seated fully clockwise in the lower housing assembly.

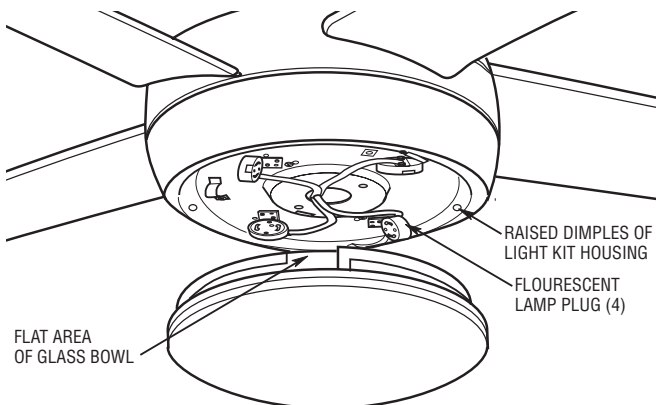


Figure 13

Preset Memory Feature

Your Emerson remote control receiver is equipped with a preset memory feature. If the electrical supply to the receiver is controlled through a wall switch, when the switch is turned off, the control will remember the light intensity and fan speed. When the switch is turned back on, the light and fan will resume operation as they were prior to the switch being turned off.

Setting Remote Control Operating Frequency

Your Emerson Remote Control Fan transmitter can be set to operate at one of 16 different frequencies. In most cases you will not need to change the factory set frequency. The frequency should only need to be changed for one of the following reasons:

- a. Multiple fans in one location that you wish to operate from one transmitter. (ALL fans should be set at the same frequency.)

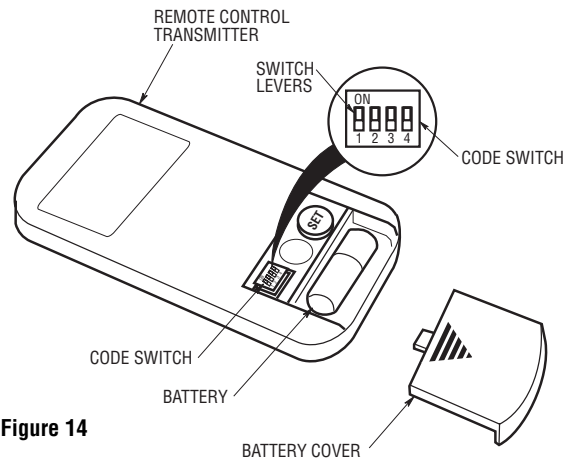
NOTE: Your Emerson Remote Control is designed to operate from a distance up to 20 feet from the fan. If you are operating multiple fans with one transmitter you should be no more than 20 feet from any of the fans to ensure that all fans will respond at the same time.

- b. Multiple fans in one location that you wish to operate from different transmitters. (ALL fans set to different frequencies.)
- c. Interference with other household systems such as your garage door opener.

Setting Transmitter Frequency

1. Remove battery cover from the transmitter. Locate the switch with four levers numbered 1, 2, 3, 4, just above the battery compartment (See Figure 14).
2. With a narrow blade screwdriver, change the position of one or more of the four levers on the switch. Note the positions of each of the four levers by number; down is OFF, up is ON.
3. Install the supplied 12V battery into the transmitter with the + and - terminals are positioned according to the diagram in the battery compartment.

Replacement batteries for transmitter: 12V batteries recommended are Duracell MN21, Eveready A23, and GP23A.



7 Figure 14

Programming the Ceiling Fan Receiver

1. Restore electrical power to the outlet box by turning the electricity on at the main fuse box.
2. Flip the wall switch to the ON position to supply electricity to the outlet box circuit.
3. Press and hold the "SET" button on the back of the transmitter for five seconds. The fan lights will turn on or flash to indicate the programming procedure has been successfully completed (Figure 15).
4. If the fan does not respond, select a new code switch setting and repeat steps 4 - 5.
5. Programming is now complete, re-install the cover onto the back of the transmitter.

NOTE: The ceiling fan receiver will not respond to transmitter commands if the transmitter's frequency switch settings are changed without reprogramming the receiver. Program the receiver to the new frequency by repeating Steps 1 - 5 of "Programming the Ceiling Fan Receiver" section.

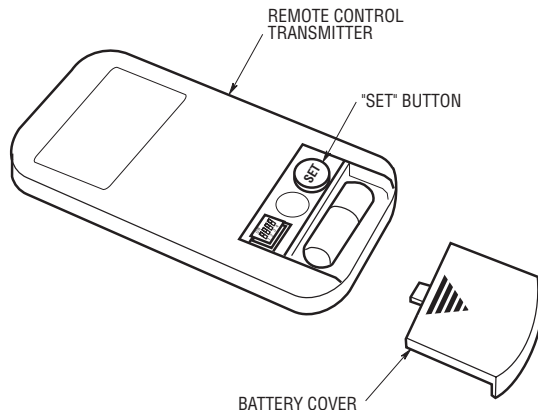


Figure 15

Operation of Your Remote Control

IMPORTANT

Fan installation and programming of the electronic controls must be completed, including the installation of the fan blades, before testing of the remote control.

Your remote control has full control of your fan and lights.

1. To set the desired fan speed, press the 1, 2, 3, 4, 5, or 6 buttons to operate your fan on low to highest speed (See Figure 16).
2. To turn your fan off, press the ■ button.
3. To change the airflow direction of the fan blades, press the ↻ button. The direction the fan blades turn will change each time the ↻ button is pressed. Allow 15 seconds for the fan to reverse direction.
4. To turn the light ON or OFF, press and release the ☀ button. The light will turn ON at the light level previously set (See Step 5).
5. To set the level of light brightness, press and hold the ☀ button. The light brightness will continue to increase then decrease while the button is held down. When the light is at the desired brightness, release the button.

Red light turns on when any button is pressed. If the light does not come on, replace the battery.

Replacement batteries for transmitter: 12V batteries recommended are Duracell MN21, Eveready A23, and GP23A.

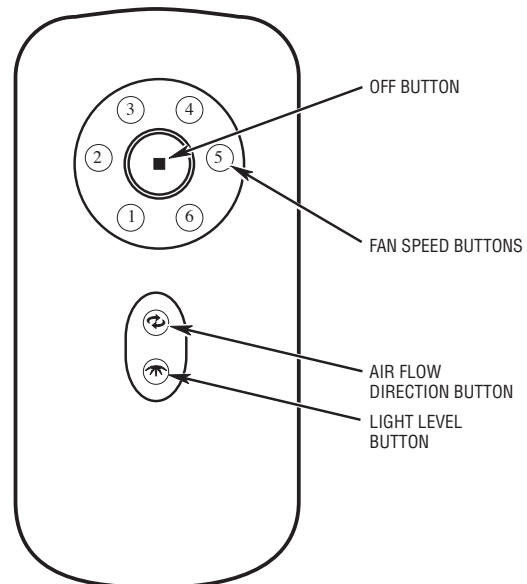


Figure 16

▲ WARNING: FOR YOUR OWN SAFETY TURN OFF POWER AT FUSE BOX OR CIRCUIT BREAKER BEFORE TROUBLE SHOOTING YOUR FAN.

Trouble Shooting

TROUBLE	PROBABLE CAUSE	SUGGESTED REMEDY
<p>1. Fan will not start.</p>	<ol style="list-style-type: none"> 1. Fuse or circuit breaker blown. 2. Loose power line connections to the fan, or loose switch wire connections in the switch housing. 3. The remote control transmitter battery needs replacement. 	<ol style="list-style-type: none"> 1. Check main and branch circuit fuses or circuit breakers. 2. Check line wire connections to fan and switch wire connections in the switch housing. <p>▲ WARNING: Make sure main power is turned off.</p> <ol style="list-style-type: none"> 3. Check that the remote transmitter battery is in good condition; the red indicator will illuminate when the key pad buttons are depressed.
<p>2. Fan sounds noisy.</p>	<ol style="list-style-type: none"> 1. Blades not attached to fan. 2. Screws securing fan blade flanges to motor are loose. 3. Screws holding blades to flanges are loose. 4. Glass bowl loose. 	<ol style="list-style-type: none"> 1. Attach blades to fan before operating. 2. Check to make sure the screws which attach the fan flanges to the motor are tight. 3. Tighten screws securely. 4. Tighten the glass bowl securely.
<p>3. Fan wobbles excessively.</p>	<ol style="list-style-type: none"> 1. Setscrew in motor coupling is loose. 2. Setscrew in hanger ball/downrod assembly is loose. 3. Screws securing fan blade flanges to motor are loose. 4. Fan blade flanges not seated properly. 5. Hanger bracket and/or ceiling outlet box is not securely fastened. 6. Fan blades out of balance. 	<ol style="list-style-type: none"> 1. Raise coupler cover and tighten the setscrew securely. 2. Tighten the setscrew in the hanger ball/downrod assembly. 3. Check to be sure screws which attach the fan blade flanges to the motor are tight. 4. Check to be sure the fan blade flanges seat firmly and uniformly to the surface of the motor. If flanges are seated incorrectly, loosen the flange screws and retighten according to the procedure in the section on "How to Put Your Ceiling Fan Together". 5. Tighten the hanger bracket screws to the outlet box, and/or secure outlet box. 6. Interchanging an adjacent (side-by-side) blade pair can redistribute the weight and result in smoother operation.
<p>4. All four lamps will not illuminate.</p>	<ol style="list-style-type: none"> 1. The remote control transmitter battery needs replacement. 2. The 1.0 amp lamp fuse may have blown and needs replacement. 	<ol style="list-style-type: none"> 1. Replace the 12 V battery; recommended replacement 12V batteries are Duracell MN21, Eveready A23, and GP23A. <p>▲ WARNING: Make sure main power is turned off.</p> <ol style="list-style-type: none"> 2. Replace the 1.0 amp fuse with Emerson repair part item 19. See page 5 and reverse the lower housing installation instructions to gain access to the fuse holder.

Maintenance

IMPORTANT CARE INSTRUCTIONS for your Ceiling Fan

Periodic cleaning of your new ceiling fan is the only maintenance that is needed.

When cleaning, use only a soft brush or lint free cloth to avoid scratching the finish.

Abrasive cleaning agents are not required and should be avoided to prevent damage to finish.

 **WARNING**

Do not use water when cleaning your ceiling fan. It could damage the motor or the blades and create the possibility of an electrical shock.

Accessories

1. Downrod Extension Kits (see store or catalog).

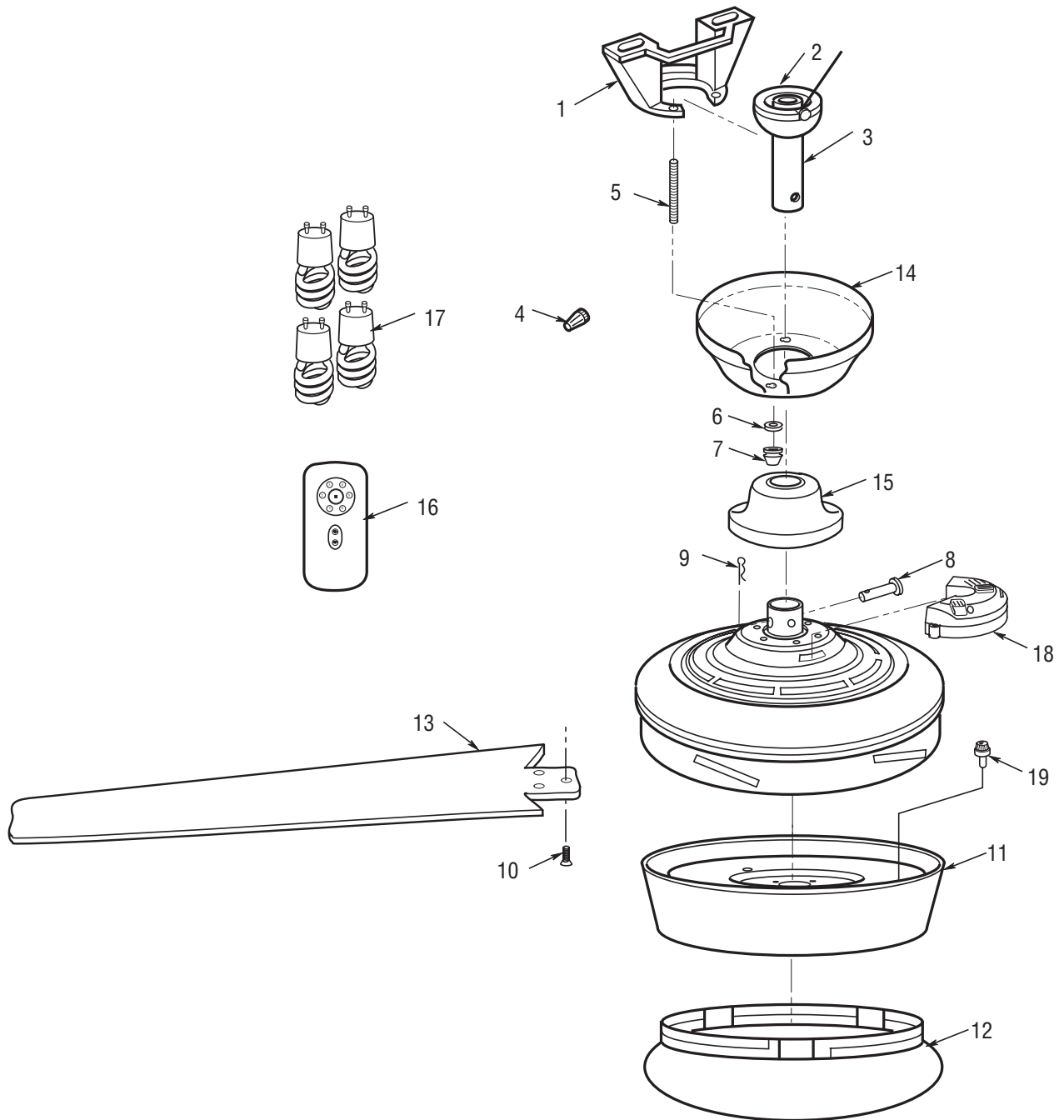
 **WARNING**

The use of any other control not specifically approved for this fan could result in fire, shock and personal injury.

 **WARNING**

To reduce the risk of fire, electric shock, or personal injury, mount fan to outlet box marked "Acceptable for Fan Support", and use screws supplied with outlet box. Most outlet boxes commonly used for support of light fixtures are not acceptable for fan support and may need to be replaced. Consult a qualified electrician if in doubt.

Repair Parts



Repair Parts Listing

Key No.	Description	Model Numbers		
		CF955BS 00	CF955ORB 00	CF955WW 00
—	Hanger Ball Assembly, Consisting of:	761655-17	761655-32	761655
1	Hanger Bracket	—	—	—
2	Hanger Ball	—	—	—
3	Downrod	—	—	—
—	Parts Bag Containing:	762029-2	762029-1	762029-2
4	Wire Connector (3)	—	—	—
5	Stud, Threaded, 1-1/4" (2)	—	—	—
6	Lockwashers (2)	—	—	—
7	Knob, Knurled (2)	—	—	—
8	Pin, Clevis	—	—	—
9	Clip, Hairpin	—	—	—
10	Screw, 3/16-24 x 1/2" (16)	—	—	—
11	Lower Housing Assembly	763746	763746-2	763746-1
12	Glass Globe	762031	762031-1	762031
13	Blade (set of 5)	762375-3	762375-2	762375-1
14	Ceiling Cover	761504-12	761504-20	761504-3
15	Coupler Cover	761860-3	761860-20	761860
16	Fan/Light Control	763743	763743	763743
17	GU-24 Fluorescent 13W Lamp	763747	763747	763747
18	Receiver/Motor Control	763742	763742	763742
19	Fuse, 1.0A, 120W	763744	763744	763744
—	Owner's Manual	BP7373	BP7373	BP7373

* Contact your nearest authorized Emerson fan dealer for replacement Fan/Light Control.

**Before discarding packaging material, be certain all parts
have been removed.**

HOW TO ORDER REPAIR PARTS

WHEN ORDERING REPAIR PARTS, ALWAYS GIVE THE
FOLLOWING INFORMATION:

- PART NUMBER
- PART DESCRIPTION
- NAME OF ITEM
- MODEL NUMBER

The model number of your Fan will be found on a label attached to
the top housing.

For repair parts, phone 1-800-654-3545.



EMERSON™

Air Comfort Products

DIVISION OF EMERSON ELECTRIC CO.
8100 W. Florissant • St. Louis, MO 63136